

Automatics and why they should be serviced

Most Dealerships Will Not Recommend Automatic Services these transmissions they would rather see your transmissions be destroyed by Heat or contaminated or burnt transmission oil instead of a change of Transmission fluid and Filter Change which is an Approx cost between \$350 and \$440 as long as there is no other oil leaks or faults .

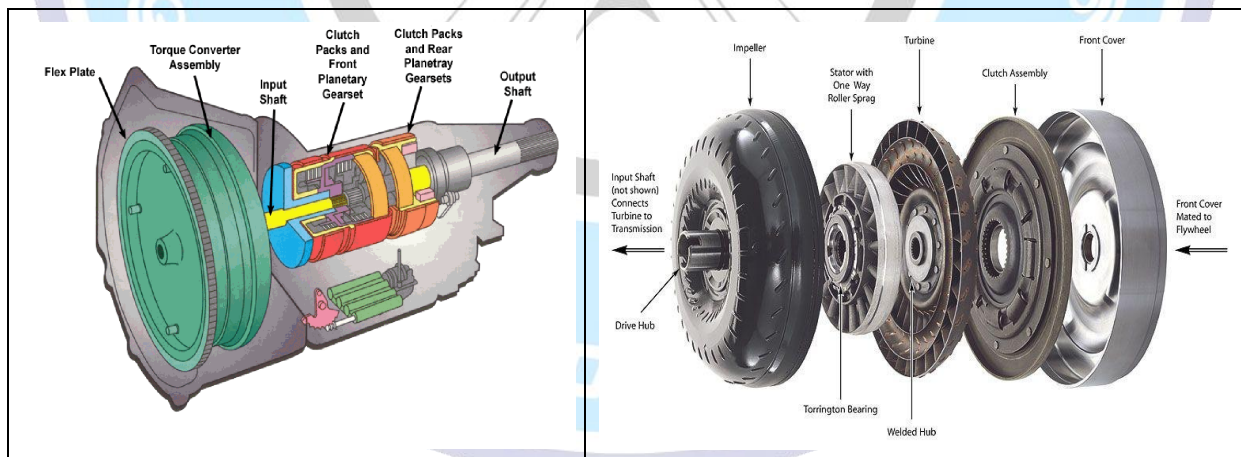
The Cost of not servicing your cars Automatic gearbox can be as much as \$4500 to \$8500 on a BMW.

People that tow caravans, should have a transmission oil cooler fitted to reduce heat that destroys the gearboxes fluid.

Most new Cars and 4X4 have no dipstick to check the condition of the transmission fluid this is why you should have your Fluid changed every 40,000K's.

If you have any concerns please consult your local mechanic or transmission specialist.

<https://www.youtube.com/watch?v=t7JCh7PHoDc>



Associate Member of IAME

